



## **2020 Club By-Laws of the Southern Districts Car Club of SA**

(Updated 2021)

Can only be changed with the approval of the **General Committee**

### **Contents**

- 1. Office Bearer Positions**
- 2. Khanacross Series – Outright and Class points structure**
- 3. Southern Districts Car Club 2020 Khanacross Rules**
- 4. Membership Types, Entitlements & Fees**
- 5. Sub Committee establishment/dissolution**

### **1. Office Bearer Positions**

In addition to the Executive, Members are eligible to nominate for the following office bearer positions and will form the General Committee, Multiple positions may be held by the same person.

Membership Secretary  
Editor  
Equipment officer  
Public Relations & Promotion  
Public Officer (currently the role of the Club Secretary)  
JDP co-ordinator  
Website  
Social Media Admin  
Social & Fundraising  
Canteen Manager  
Auditor  
Motorsport Australia SA Rally Panel Delegate  
Motorsport Australia SA Autotest Panel Delegate  
MMM Park sub-committee Chairperson  
Seal Holder

## **2. Khanacross Series Outright and Class Points Structure**

The principle and purpose of the SDCC Khanacross Series is to encourage competitors regardless of their budget or choice of vehicle (and subsequent class). There is a strong desire to avoid creating disincentives for people running what they have. Therefore, to award a person for their finishing position in their class, keeps them engaged and attracting SOME points, but still further rewards those who also have a high outright finishing position.

Historically, the winner of the Khanacross series has been a person who has shown a commitment to enter as many rounds as possible and been a consistent outright placed entrant. Positions 5-10 often have entrants who have gained a majority of their overall points via the class.

Ladies Category – As recommended by the Australian Sports Commission, it has been encouraged that competitors are not given special awards on the basis of gender. This has been even further discouraged at higher level events eg State and National championship levels. Club engagement and feedback has shown that around half of our female participants like the opportunity to receive the ladies trophy at events. Therefore, for events, there is the opportunity to opt in or out to being considered for the event trophy. Once that decision is made, the competitor will also make themselves ineligible for the ladies points for the club series for that particular round.

Junior Categories – We have 2 categories for Juniors, ages 12-15 and 16-17.

If a junior is under 16 at when they enter their first Khanacross for that season, they can continue to accumulate points and be eligible for the 12-15 trophy for the remainder of that season. (In a similar way that other team sports treat their junior levels). It allows the competitor to start and finish in the same season and not split their points in the year that they turn 16. This however does not apply when they turn 18. Once they are over 18 (adults) they no longer can compete for the 16-17 trophy or points.

### **2.1 Awarding of Points in SDCC Khanacross Series – Eligibility**

Only SDCC Members of the appropriate Membership level are eligible to score points in the Khanacross Championship. The Final results will 'discount' non-SDCC eligible members from the results, thereby moving subsequent SDCC Members up the outright and class finishing position list.

The roles of Clerk of Course and Event Secretary (unless rejected by the Member) shall attract full O/R and Class points for the Outright Series. This can only be utilised once during the Khanacross series.

The Clerk of Course may also nominate a class that they wish to receive full points for the determination of Class Series or category (J, J16 or L) points, but it must be in a class they have, or intend to enter during that calendar year. These points may be removed at the discretion of the Competition Secretary if the Clerk of Course of that event, fails to enter that class or category.

### **2.2 Points for determining SDCC Series Khanacross Outright Champion.**

10 Points will be awarded for first O/R, 9 for 2<sup>nd</sup> O/R and so on, until 10<sup>th</sup> position. No further points will be awarded past 10<sup>th</sup> place (outright).

In each class (vehicle classes only – NOT in either Junior or Ladies categories) points will also be awarded for the finishing position down to 10<sup>th</sup> place in the same method. Ie 10 points for 1<sup>st</sup> in class, 9 points for 2<sup>nd</sup> and so on down to 10<sup>th</sup> (Again, discounting non-SDCC eligible entrants)

The Outright points and the class points will be added together to form the Outright Championship season points tally.

### **2.3 Points for determining SDCC Series Khanacross Class Champion.**

10 Points will be awarded for first O/R, 9 for 2<sup>nd</sup> O/R and so on, until 10<sup>th</sup> position. No further points will be awarded past 10<sup>th</sup> place (vehicle class & category J, J16 & L).

Refer above for Junior and Ladies Category eligibility.

## **3. Southern Districts Car Club 2020 Khanacross Rules**

### **3.1 VEHICLE REQUIREMENTS**

1. All Vehicles must comply with Motorsport Australia 4K and Schedule A of the current Motorsport Australia Manual of Motor Sport.
2. Vehicles must be adequately muffled to comply with noise restrictions.
3. Particular attention will be to:-
  - a. General occupant safety;
  - b. Steering;
  - c. Brake system
  - d. Seat belt/safety harness
  - e. Seat/s
  - f. Wheels/tyres
  - g. Security of objects in the cabin.
4. The Chief Scrutineer shall rule on the acceptability of any vehicle to compete in the Event. This will apply to vehicles fitted with non-compliant roll cages
5. All vehicles must have an approved and correctly mounted and fire extinguisher of at least 900g capacity, and effective mud flaps fitted to drive wheels.
6. A Driver whose vehicle has broken down may use a replacement vehicle, provided the consent of the Clerk of the Course has been obtained. The replacement vehicle must be scrutineered before being allowed to compete and be used for the remainder of the competition.
7. Firewalls into the cabin of the vehicle need to be suitably sealed.

### **3.2 APPAREL**

1. A minimum of a lap sash must be worn correctly at all times of competition complying with Schedule I of the current Motorsport Australia Manual of Motorsport.
2. All Drivers must wear approved footwear whilst competing. Refer Schedule D of the current Motorsport Australia Manual of Motorsport.
3. Approved helmets must be worn whilst competing. Refer Schedule D of the current Motorsport Australia Manual of Motorsport.
4. Approved helmet with visor or goggles must be worn in closed cars which have the windscreen removed. Refer Schedule D of the current Motorsport Australia Manual of Motorsport.
5. For all vehicles minimum clothing is "Neck to ankle to wrist" covering. Refer Schedule D of the current Motorsport Australia Manual of Motorsport.

### **3.3 Classes and Categories**

#### **1 Classes**

- A – Production Vehicle 0 – 1500cc
- B – Production Vehicle 1501 – 2000cc
- C – Production Vehicle 2001 – 3000cc
- D – Production Vehicle over 3000cc
- E – Production Vehicle Rear Wheel Drive any capacity
- F – 4 WD & AWD Production Vehicle
- AM – MODIFIED Production Vehicle or RALLY TYRES 0 -1500cc
- BM – MODIFIED Production Vehicle or RALLY TYRES 1501 -2000cc
- CM– MODIFIED Production Vehicle or RALLY TYRES 2001 – 3000cc
- DM – MODIFIED Production Vehicle or RALLY TYRES over 3000cc
- EM - MODIFIED Production Vehicle or RALLY TYRES Rear Wheel Drive any capacity
- FM – MODIFIED 4WD & AWD Production Vehicle

NOTE:-

A Rear wheel drive vehicle must be nominated in EITHER appropriate engine capacity class OR Rear wheel drive class, it cannot be in both.

#### **2. Categories**

- S – 2WD Specials
- J – JUNIORS under 16 years
- J16 – JUNIORS 16 to 18 years
- L – LADIES (Ladies may opt out of competing for this trophy)

### 3.4 The following must apply for Production Vehicle classes

- A – Production Vehicle 0 – 1500cc
- B – Production Vehicle 1501cc – 2000cc
- C – Production Vehicle 2001cc – 3000cc
- D – Production Vehicle over 3000cc
- E – Production Vehicle Rear Wheel Drive any capacity
- F – 4 WD & AWD Production Vehicle

**NOTE:-**

A Rear wheel drive vehicle must be nominated in EITHER appropriate engine capacity class OR Rear wheel drive class, it cannot be in both.

A Production Vehicle is a road going vehicle, which may be two wheel or four-wheel drive that has been produced by a manufacturer and sold to the general public through a recognised dealer network. A Production Vehicle may only be modified in accordance with the following conditions:

- a. A vehicle may not be converted from front to rear wheel or two wheel to four wheel drive or vice versa.
- b. The original bodyshell and the original bodywork panels must be retained. The overall length and silhouette, when viewed from the side and from above, must not be less than the original except where a modification permitted affects the silhouette.
- c. Each front door must remain operational with the original hinges and latch mechanism.
- d. A bumper bar which is affixed by fasteners, and is independent to and not integrated with any other bodywork, such as front air dam, front guards and grill, may be removed.
- e. Spoilers, air dams and wheel arch flares may be added or removed to the exclusion of being covered.
- f. Both driver and passenger front seats must remain in their standard position. It is permissible to remove the rear seats if required.
  - i. Driver's seat may be replaced with a racing seat but must have a harness type seatbelt fitted
  - ii. Front passenger seat must remain but if replaced with a racing seat must have a harness type seatbelt fitted
  - iii. Rear seat may be removed however integrity of rear fire wall must remain
  - iv. Fuel system must not be exposed inside the cabin
- g. Front door trims must be fitted, which may be of an alternate rigid material. Other interior trim or carpet etc. may be removed.
- h. Front headlights and rear taillights must remain in their standard location, although they do not need to function.
- i. The handbrake may be modified, but must be functional.
- j. The original windscreen must be retained. Each other window may be replaced with an alternate polycarbonate material and fixed in place. Each replacement front side window must be removable without tools.
- k. The engine and gearbox must be from the same manufacturer and have been available as an option in the model run of the vehicle.
- l. Engine/transmission cooling systems are free provided they are:
  - i. contained within the bodywork and may be fitted underneath the floorpan;
  - ii. not fitted in the cockpit; and
  - iii. fitted only with localised modifications by the removal of or replacement of material, such as engine radiator support panel, to facilitate a cooling system modification.
  - iv. Fuel system must not be exposed inside the cabin
- m. All turbocharged vehicles must have the intercooler in the original position

- n. Suspension and steering components may be replaced with free components with the following conditions:
  - i. Each component must maintain the principle and operation as per the original manufacturer's components.
  - ii. The mounting points on the bodywork or chassis for each suspension and steering component must remain as standard.
  - iii. Adjustment capabilities may be incorporated into replacement suspension or steering components. (i.e. adjustable spring platform on Macpherson Strut or coil over, adjustment in a lower control arm).
- o. Upgrading of brake rotors and pads is permitted.
- p. All wheels shall be fitted with tyres which:
  - i. are pneumatic, containing gas only;
  - ii. are in a safe condition;
  - iii. are not fitted with any anti-skid attachments such as studs, chains etc.
- q. Wheels and tyres must fit inside the guard (silhouette)
- r. May not use any Rally tyre or tyres marked "not for highway use" or "for competition use only".
- s. Commercially available light vehicle tyres, including those marked LT or C will be allowed provided these tyres are appropriately speed rated and the tread pattern is of a road pattern, not a winter tread or mud and snow pattern. SUV tyres defined as HT are allowed but not AT or MT or of any other aggressive nature.  
No modification of tread pattern

Failure to comply with the above items may result in the entry being placed in Modified Classes, excluded from results or excluded from competition

### **3.5 The following must apply for Modified Production Vehicle classes**

- AM – MODIFIED Production Vehicle or RALLY TYRES 0 -1500cc
- BM – MODIFIED Production Vehicle or RALLY TYRES 1501 -2000cc
- CM– MODIFIED Production Vehicle or RALLY TYRES 2001 – 3000cc
- DM – MODIFIED Production Vehicle or RALLY TYRES over 3000cc
- EM - MODIFIED Production Vehicle or RALLY TYRES Rear Wheel Drive any capacity
- FM – MODIFIED 4WD & AWD Production Vehicle

#### **NOTE:-**

A Rear wheel drive vehicle must be nominated in EITHER appropriate engine capacity class OR Rear wheel drive class, it cannot be in both.

3.5.1 A Modified Production Vehicle (Classes AM, BM, CM, DM, EM, FM) is a vehicle that has been modified beyond the criteria of a Production Vehicle. The modifications permitted for a Production Vehicle are permitted for a Classes AM, BM, CM, DM, EM, FM vehicle. Additionally a Classes AM, BM, CM, DM, EM, FM vehicle must meet the following requirements:

- a. All parts of the original body between and including the front firewall and rear most rear suspension mounting points must remain intact including roof, pillars, and floor pan.
- b. Bodywork panels may be of a different material to the production part, except for the front doors which must comply with the Production Vehicle requirements, refer Production Vehicle c.
- c. Any exposed metal brackets or bodywork components (chassis rails, bumper mounts etc.) which extended beyond the external bodywork remaining, be it modified or otherwise, or which may pose a hazard, to person or other objects, must be removed or covered with a suitable ridged material.

### **3.6 PERMITTED MODIFICATIONS**

The following modifications are permitted for a Class AM, BM, CM, DM, EM, FM vehicle beyond those permitted for a Production Vehicle:

- a. Rear doors, boot panel, tailgate/hatch may be modified leaving only the outer skin permanently and securely affixed in place.
- b. The bonnet or engine cover may be modified or replaced with an alternate solid material. All exposed rotating parts on the engine are to be fitted with a suitable guard to prevent contact by persons or other objects.
- c. Front and rear bumper bars, included those integrated to other bodywork, may be removed in their entirety.
- d. It is permitted to remove the windscreen in which case the vehicle must be fitted with a minimum of a Type 2 Safety Cage Structure complying with Motorsport Australia Manual; Schedule J.
- e. Each other window may be removed in its entirety however window nets or similar must be used.
- f. The engine and driveline are free in which case the following will apply:
  - i. The floor pan and firewall may be modified to accommodate the replacement or relocation of engine or driveline components. Any material removed from the floor pan or firewall must be replaced with material of the same type and fixed in place.
  - ii. The original chassis may be modified by the removal or replacement of material. Additional brackets/mounts may be added. In each case the integrity of the chassis must be maintained.
- g. Each engine and driveline component must be suitably sealed from the cockpit.
- h. Suspension and steering components may be modified by the removal of or by the addition of material including the mounting points on the bodywork, chassis. Suspension and steering components are otherwise free.
- i. Brake components are free.

- j. Wheels and tyres must fit inside the guard (silhouette).
- k. May use any Rally tyre or tyres marked “not for highway use” or “for competition use only”. SUV tyres defined as HT, AT MT are allowed. However agricultural, bar and lug type tyres are not permitted.
- l. If using full harness belts you may remove dash crash pad, with no sharp edges to be exposed.



### 3.7 CRITERIA FOR SPECIALS:

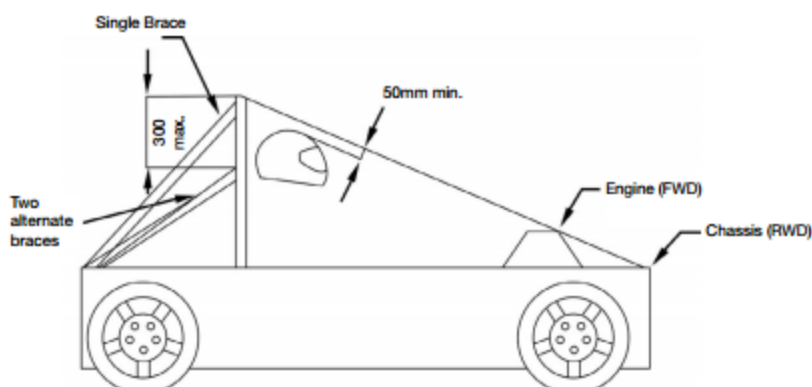
Purpose-built vehicles, which must:-

- a. have a wheel base not less than 1800mm;
- b. be of sound and solid construction;
- c. be fitted with some form of protection between the engine and driver's compartment suitable and sufficient to prevent the passage of flame;
- d. be fitted with a solid and rigidly attached floor, and covers of solid material which effectively separate the passenger compartment from the exhaust system, the transmission shaft/s and joints, the brakes, the road wheels and their attachments and linkages;
- e. have sides on the passenger compartment extending at least from the toe-board to the rear of the seat/s, contiguous with the floor throughout their length, of a height not less than 150mm above all parts of the uncompressed seat cushion/s;
- f. be fitted with a securely attached driver's seat;
- g. be fitted with a fuel tank safely and securely installed;
- h. have any battery safely and securely installed;
- i. have all brake, fuel and electrical lines securely mounted;
- j. not have any open carburettor intake/s intruding into the passenger compartment. The use of flame-retardant air cleaner/s is recommended;
- k. have mudguards (if fitted) securely mounted;
- l. not have any form of electronically-controlled traction, braking or suspension control aids.

### 3.8 SAFETY CAGE STRUCTURE

- a. Specials must be fitted with a Safety Cage Structure complying with Schedule J of the Motorsport Australia Manual and the following:
- b. The minimum requirement is for a Type 2 Safety Cage Structure.
- c. A minimum of 50mm clearance is to be maintained above the driver's helmet (for all drivers of the vehicle) when measured perpendicular to a line drawn from the top of the main roll bar to the top of the engine (not including peripherals such as carburettors) or alternatively the chassis at the front of the vehicle. Refer Diagram 1.
- d. The Safety Cage Structure must be mounted to the vehicle in accordance with Article 18 of Schedule J.
- e. It is highly recommended that vehicles be equipped (for each occupant) with safety nets or wrist/arm restraints, each properly attached, which ensure that each occupant cannot project beyond the line of the bodywork of the vehicle.

DIAGRAM 1.



### 3.9 MINI MOKES

Mini Mokes must be fitted with a Safety Cage Structure which complies as a Type 2 in accordance with Schedule J of the Motorsport Australia Manual.

#### 4. 2020 Membership Type, Prices and Entitlements

##### Full Membership

- Single
- Adult \$70.00
- Life \$0.00
- Complimentary \$0.00
- Junior/JDP (12-17yrs) \$35.00  
(Junior Membership can be obtained if the junior is under 18 at the time of renewing or taking up Membership, even if the person turns 18 during that competition year)
- Family (comprising of a maximum of 2 full single (Adult, Life or Complimentary) and no limit of juniors/children) \$90.00

##### Other Memberships

- Associate \$20.00
- Club Registration \$50.00  
(non-voting and non competition)
- Honorary (non-voting) \$0.00
- Day Membership (non-voting) \$30.00

##### Club Reg Log Book Allocation & First inspection

\$5.00

##### JDP Vehicle Hire

\$65.00

##### Entitlements

Type	GM Voting Rights	Motorsport Australia competition	Score Club Points	Club Reg eligible	Office Bearer	Event discounts	Magazine	Member Discounts
Adult	Y	Y	Y	Y	Y	Y	Y	Y
Life #2	Y	Y	Y	Y	Y	Y	Y	Y
Complimentary	Y	Y	Y	Y	Y	Y	Y	Y
Junior/JDP	N	Y	Y	N	Y	Y	Y	Y
Associate	Y	N	#1	N	Y	N	Y	Y
Club Registration	N	N	N	Y	N	N	Y	Y
Honorary	N	N	N	N	N	N	Y	Y
Children (u/12)	N	N	N	N	N	N	N	Y
Day	N	Y	N	N	N	Y	N	N

#1 – Associate Members may score club points in non-competition events (eg Economy Run), or Points for recognised tasks as a volunteer official, but NOT as a competitor in competition events.

#### 5. Sub Committee establishment/dissolution

There are currently no active sub committees